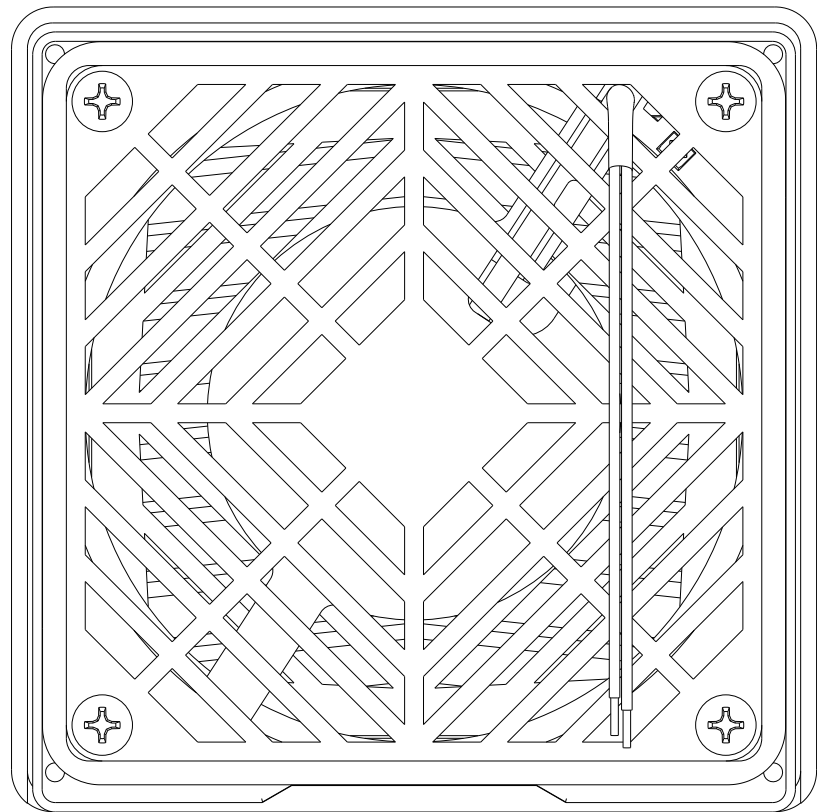
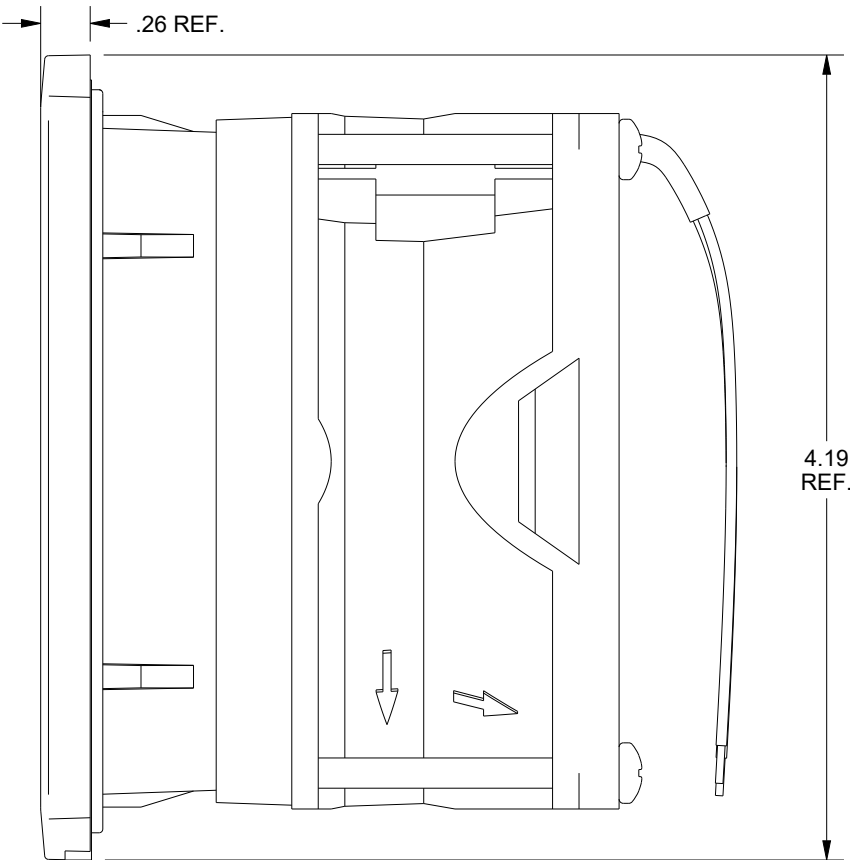
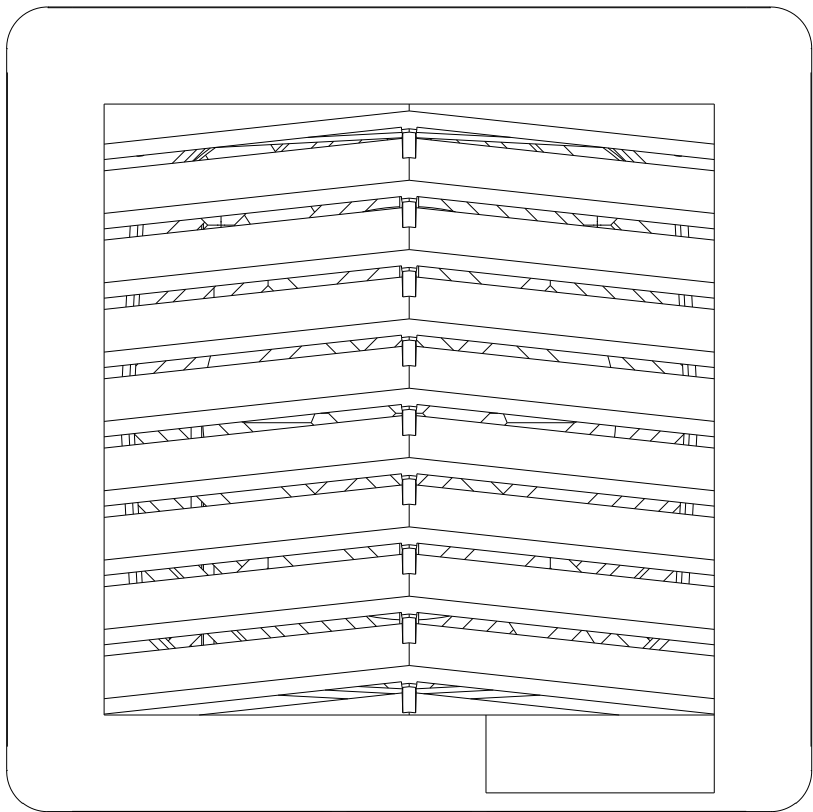
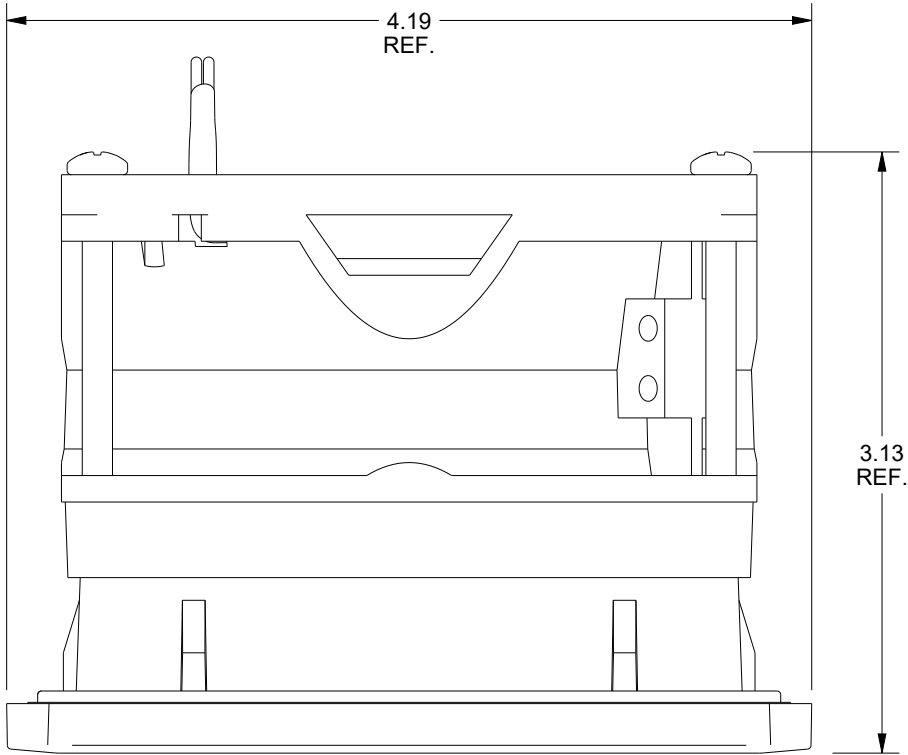


# SAGINAW CONTROL & ENGINEERING

## SCE-N12FA33-24VLG



DESCRIPTION:  
Filter Fan - 4.19 X 4.19 X 3.13 - 24 DC Volt -  
Type 12 - RAL 7035 Gray